



MULTITASK VEHICLE BMR-85D

MULTITASK VEHICLE BMR-85D



The BLASTRAC BMR-85D is the first and only multifunctional and hydrostatically driven machine on the global surface preparation market. Due to the fact that the BMR-85D can fit several attachments, it gives the user a lot of flexibility to satisfy the needs of the job in hand whatever they may be, SHOTBLAST, SCARIFY, OR SWEEP, all are possible with the BLASTRAC BMR-85D.

CABIN

Work functions are carried out by the machine operator working from an enclosed cab from where he is able to control all the important processes, with one user friendly touch screen. The cabin is air conditioned and heated and has a maximum decibel rating of 72 dB(A).

DUST COLLECTOR

The BMR-85D has an effective and very powerful on-board dust collection system. Together with the big bag system, which collects airborne particulate and contaminants such as paint, surface residues and debris it's a guaranteed solution for dust free, safe and highly efficient operation.

ENGINE & HYDRAULICS

The BLASTRAC BMR-85D has side shift, to enable the machine to operate in close proximity to an edge on either side of the machine. The BMR-85D is powered by an 85-horsepower diesel engine, and is equipped with the most modern hydraulic and electronic technologies. The BLASTRAC BMR-85D is especially developed to treat big surfaces, such as runways, roads, highways and bridges from within a safe, ergonomic and comfortable work space.

SWEEPER

Whether it is winter snow removal or a heavy spring clean, the Multi Rotary broom is the ideal attachment. The Multi Rotary broom hooks up with the BMR-85D using the same adapter plate as all other attachments. It's completely hydraulic driven and all functions are carried out from the cabin.



TECHNICAL DATA 2-20DTA

Working width	550mm
Blasting capacity	Up to 600m ² /h on concrete
Drive system / speed	Hydraulic / 24 km/h
Weight	700 kg (without drive unit) 3940 kg (incl. drive unit)
Dimensions L / W / H	1680mm / 720mm / 1050mm
Abrasive consumption	100-200 g/m ² (depending on surface)
Application	Steel / concrete

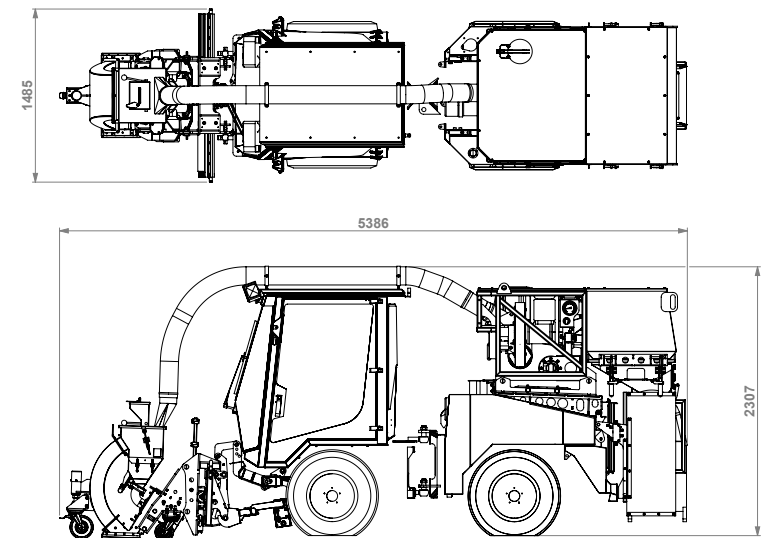
OPTIONS / ACCESSORIES

Abrasive S330 / S390 / S460	999-0330 / 999-0390 / 999-0460
20m suction hose Ø150	001112
Magnetic broom R900	B22055
Maintenance kit	On request
Personal safety features	On request



MAIN ASSETS

- Closed circuit which is dust free.
- The big bag system collects airborne particulate and contaminants such as paint, residues and debris.
- Highly versatile machine, appropriate for medium to big jobsite sizes.
- Very efficient on all types of floors.
- Very good performing and separation system.
- Hydraulic drive blast wheel motors, each up to 11kW.
- Blast wheel size of 200mm.
- Electric driven shot valve actuator (12V).
- Easy and user friendly connection system for BMR-85D.
- Can be used for floor preparation / renovation / maintenance and decorative purposes.



TECHNICAL DATA BMP-335A	
Working width	Ø 335mm
Scarifying capacity	Up to 175m ² /h on concrete
Drive system / speed	Hydraulic / 1-15 m/min
Weight	550 kg (without drive unit) 3790 kg (incl. drive unit)
Dimensions L / W / H	880mm / 650mm / 785mm
Working speed	1000rpm
Application	Concrete / Stone / Asphalt

OPTIONS / ACCESSORIES	
Drum complete (axel Ø22mm) with original cutters	MPD335-522L24S
Drum complete (axel Ø22mm) with milling cutters	MPD335-522L29S
Drum complete (axel Ø20mm) with full TC milling cutters	MPD335-620L60S
Refill kit with original cutters	MPL24S335-5
Refill kit with milling cutters	MPL29S335-5
Refill kit with full TC milling cutters	MPL60S335-6
20m suction hose Ø150	001112
Personal safety features	On request / See manual



MAIN ASSETS

- Closed circuit which is dust free.
- The big bag system collects airborne particulate and contaminants such as paint, residues and debris.
- The extra weights of over 500 kg is 100% centered and placed above the drum shaft which guaranties the best possible scarifying results and productions rates.
- Extremely low vibrations and noise levels.
- Fully hydraulically driven.
- Equipped with a "fast tilt" system to lift the rotating drum from the surface without having to lift the complete attachment.
- Micrometric and memorized adjustment of the working depth: no underground deterioration.
- Easy and user friendly connection system for BMR-85D.
- Can also be equipped with sawing blades.
- Several optional cutting tools for each different application.

